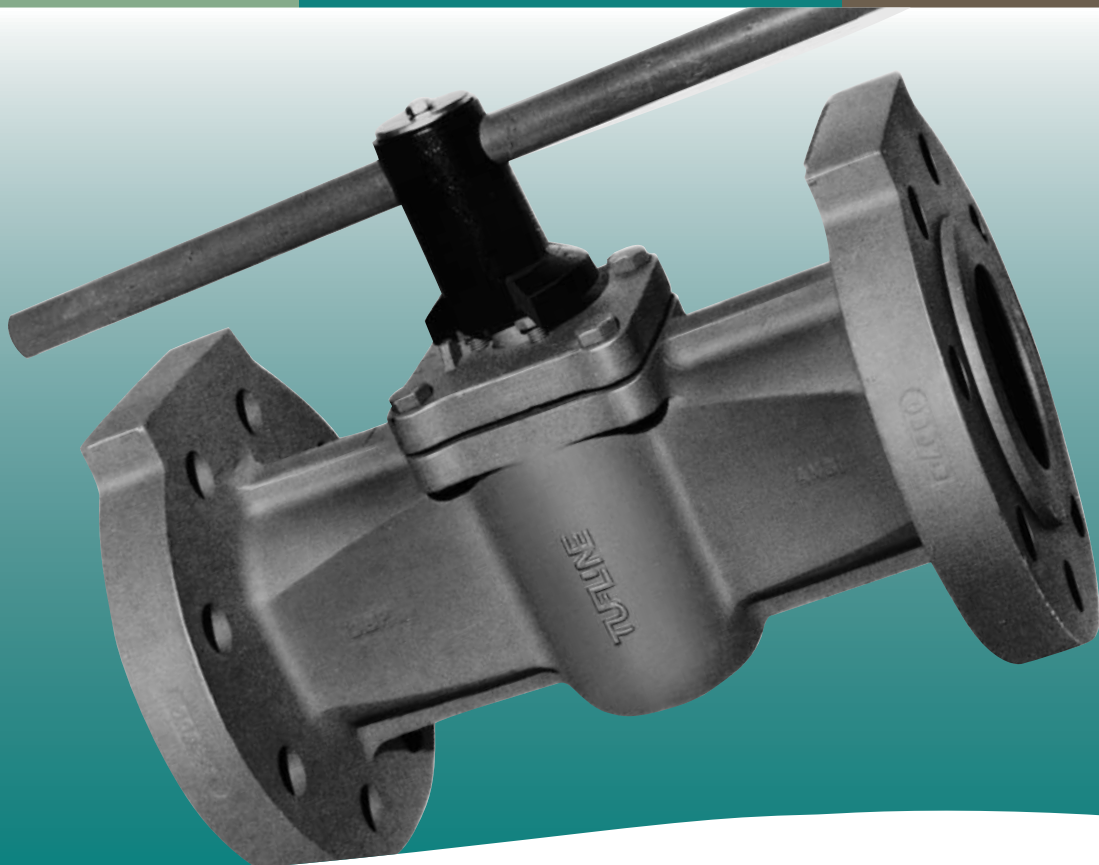


# XOMOX<sup>®</sup>

brands you trust.



Tuflin<sup>®</sup> Class 600 Sleeved Plug Valves

**CRANE**<sup>®</sup>

ChemPharma Flow Solutions

[www.cranepharmasolutions.com](http://www.cranepharmasolutions.com)

Tufline non-lubricated sleeved plug valves are available in ANSI Class 600.

### Exceptional service.

Because of their advantages over ball and gate valves, Tufline Sleeved Plug valves are increasingly found in services such as:

- Oil and gas production.
- Oil and gas transmission and compressor stations.
- High pressure monomer and polymer applications.
- High pressure chemical and petrochemical processes.
- HF alkylation services.

### Tighter, more reliable, longer-lasting seal.

Ball valve seats provide a small, easily-breached sealing area. Tufline Sleeved Plug valves have a 360° sealing area around the full circumference of the plug.

Unlike ball valves, Tufline Sleeved Plug valves have an adjustable in-line seal to maintain tight shutoff.

### Seal to atmosphere.

A double stem seal is standard. An enhanced stem seal option is also available.

### No cavities.

There are no cavities or pockets where media can collect, contaminate, or build up excessive pressure.

### Self lubricating.

The sleeve provides all the lubrication the valve will ever need. These valves operate virtually maintenance-free throughout a greatly extended service life.

### Multiport configurations.

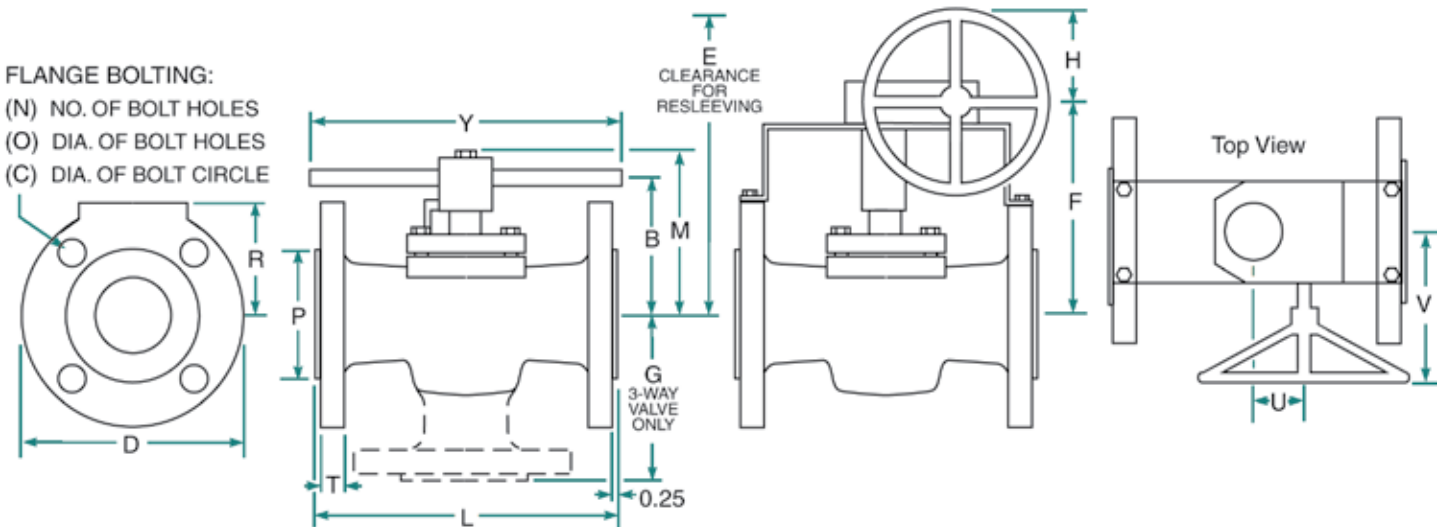
These valves are available in 2-way, 3-way, and 4-way models for more compact and streamlined processing systems.

### More options, modifications, and special services.

Choose from a wide variety of options including fire tested models, chlorine, HF, oxygen, and other special service models. Special flanges and end connections are available.

### Dimensions

Dimensions are in inches. Weights are in pounds.



**Wrench Operated / Class 600 / 2-Way - Figure No. 0667DR / 3-Way - Figure No. 0637DR**

Size	L	D	T	P	R	N	O	C	E	Weight 2-way	G 3-way	Weight 3-way
1/2	6.50	3.75	.62	1.38	1.88	4	.62	2.62	6.00	9	3.25	11
3/4	6.50	4.62	.62	1.69	2.32	4	.75	3.25	6.00	10	3.25	14
1	8.50	4.88	.69	2.00	2.44	4	.75	3.50	7.00	13	4.25	18
1 1/2	9.50	6.12	.88	2.88	3.06	4	.88	4.50	8.00	28	4.75	37
2	11.50	6.50	1.00	3.62	3.25	8	.75	5.00	9.13	38	5.75	49
3	14.00	8.25	1.25	5.00	4.13	8	.88	6.62	10.13	62	7.00	82
4	17.00	10.75	1.50	6.19	5.38	8	1.00	8.50	22.00	115	8.50	156

**Enclosed Gear Operated / Class 600 / 2-Way - Figure No. 0667DR / 3-Way - Figure No. 0637DR**

Size	L	D	T	P	R	N	O	C	E	Weight 2-way	G 3-way	Weight 3-way
4	17.00	10.75	1.50	6.19	5.38	8	1.00	8.50	22.00	133	8.50	174
6	22.00	14.00	1.88	8.50	7.00	12	1.12	11.50	25.00	250	9.31	324
8	26.00	16.50	2.19	10.62	8.38	12	1.25	13.75	28.00	475	-	586
10	31.00	20.00	2.50	12.75	10.13	16	1.38	17.00	29.00	890	-	1080
12	33.00	22.00	2.62	15.00	11.19	20	1.38	19.25	35.00	1100	16.50	1375
14	35.00	23.75	2.75	16.25	12.00	20	1.50	20.75	N/A	1400	-	-
16	39.00	27.00	3.00	18.50	13.56	20	1.63	23.75	N/A	1825	-	-

**Operator dimensions**

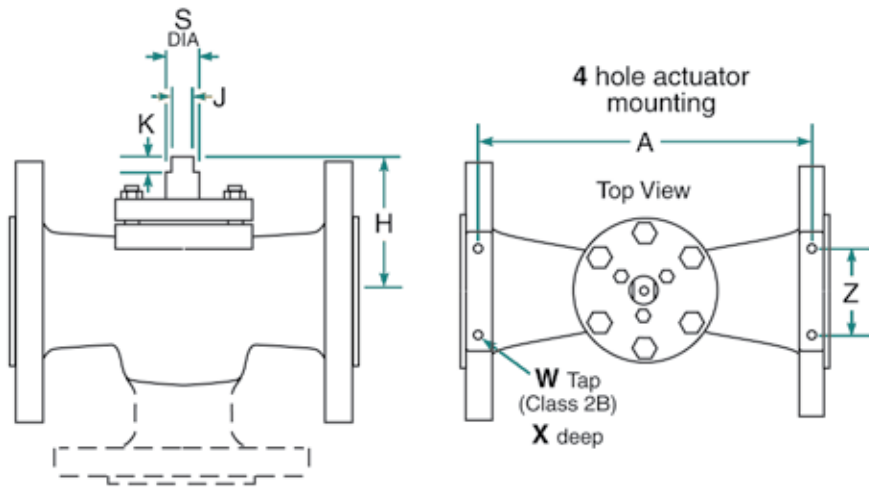
**Wrench**

Size	M	B	Y
1/2	-	4.00	6.38
3/4	-	4.00	6.38
1	3.81	2.88	8.75
1 1/2	4.56	3.63	12.50
2	5.13	4.00	18.00
3	5.69	4.63	24.00
4	7.06	5.75	30.00

**Enclosed gear**

Size	F	H	U	V
4	8.75	6.00	2.06	8.00
6	11.50	9.00	2.62	10.38
8	13.50	9.00	2.62	10.38
10	15.25	12.00	3.53	12.31
12	16.25	15.00	4.88	15.88
14	21.66	12.00	5.38	16.90
16	21.66	12.00	5.12	17.66

© Copyright Xomox Corporation 2000, 2009.  
All rights reserved. Xomox® and Tuffline®  
are registered trademark of Xomox Corp.



### Actuator mounting dimensions.

Full dimensions for valve and actuator assemblies are available

					4 Hole Pattern				
Size	H	K	J	S	Size	A	Z	W	X
1/2	1.92	0.66	0.250	0.50	1/2	5.38	1.75	5/16 -18	.47
3/4	1.92	0.66	0.250	0.50	3/4	5.38	1.75	5/16 -18	.47
1	2.50	0.32	0.438	0.63	1	7.13	1.75	5/16 -18	.37
1 1/2	3.06	0.44	0.563	0.88	1 1/2	8.13	1.75	5/16 -18	.37
2	3.56	0.53	0.750	1.13	2	9.94	2.25	5/16 -18	.47
3	4.13	0.53	0.750	1.13	3	12.25	3.50	3/8 -16	.63
4	5.22	0.78	0.875	1.25	4	15.00	4.00	7/16 -14	.65
6	7.35	1.00	1.398	2.00	6	20.00	4.00	1/2 -13	1.00
8	9.32	1.00	1.398	2.00	8	23.31	6.00	1/2 -13	.63
10	10.81	1.00	1.673	2.50	10	28.00	6.00	1/2 -13	.63
12	11.81	1.00	1.968	3.00	12	29.88	6.00	1/2 -13	.63
14	14.96	1.58	2.00	4.00	14	31.75	8.00	5/8 - 11	1.00
16	14.96	1.58	2.00	4.00	16	35.50	8.00	5/8 - 11	1.00

# XOMOX®

CRANE ChemPharma Flow Solutions™

XOMOX Headquarters

4444 Cooper Road,  
Cincinnati, OH 45242, U.S.A.

Tel.: (513) 745-6000

Fax: (513) 745-6086

XOMOX International GmbH & Co.

Von-Behring-Straße 15,  
D-88131 Lindau/Bodensee

Tel.: (49) 8382-702-0

Fax: (49) 8382-702-144

**CRANE**

ChemPharma Flow Solutions



brands you trust.

CRANE ChemPharma Flow solutions Include: Pipe - Valves - Fitting - Actuators - Pumps

**DEPA**®

**PSI**®  
LINES PIPING SYSTEMS

**ResistoPure**®

**Saunders**®  
the science inside

**ELRO**®

**RESISTOFLEX**®

**revo**®

**XOMOX**®

CP-XOMOX-SPV-BU-EN-CI-5/09-PN329737

Crane Co., and its subsidiaries cannot accept responsibility for possible errors in catalogues, brochures, other printed materials, and website information. Crane Co. reserves the right to alter its products without notice, including products already on order provided that such alteration can be made without changes being necessary in specifications already agreed. All their trademarks in this material are property of the Crane Co. or its subsidiaries. The Crane and Crane brands logotype (Xomox®, Saunders®, Resistoflex®, Resistopure™, PSI®, DEPA®, ELRO®, REVO®) are registered trademarks of Crane Co. All rights reserved.